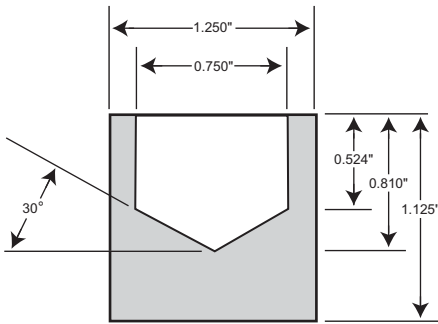
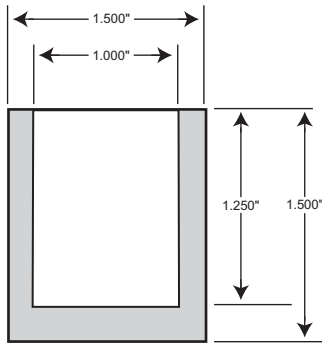


# Graphite Crucibles

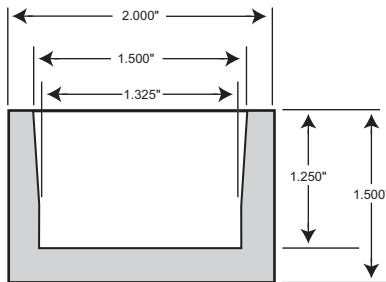
SCP SCIENCE offers many graphite crucibles for trace-level analytical work or regular fusion analysis. Reduce operating costs by ordering graphite crucibles instead of platinum/gold crucibles. Available in two purities (regular or high-purity) and in-stock for quick delivery. Custom styles and sizes are available.



9 ml Crucible



20 ml Crucible



Casting Crucible

## Regular-Purity Graphite Crucibles

Offers minimal impurities for maximum protection against contamination

- Impurities range from 10 to 100 ppm (Mg, Fe, Al, Si, and Cu)
- Graphite will not combine with samples during fusion

### Graphite Crucibles - Regular Purity

Type	Description	Quantity	Catalog Number
Graphite Crucible	9 ml Volume	100	040-060-010
Large Volume Graphite Crucible	20 ml Volume	10	040-060-030
Graphite Crucible	Cylindrical	1	040-060-020
Graphite Casting Crucible	Casts 34 mm disks	10	040-060-040

## High-Purity Graphite Crucibles

Available for trace-level analysis

- Manufactured with only 2 ppm total metallic impurities

### Graphite Crucibles - High Purity

Type	Description	Quantity	Catalog Number
Graphite Crucible	9 ml Volume	10	040-060-011
Large Volume Graphite Crucible	20 ml Volume	10	040-060-031
Graphite Casting Crucible	Casts 34 mm disks	10	040-060-041

**Custom Styles  
and Sizes  
Are Available!**

For more information or for Custom Blends, contact your  
**SCP SCIENCE** Sales Representative today!