

SP-1000 Jaw Crusher

The **SCP SCIENCE SP-1000 Jaw Crusher** is the ultimate one-step primary crusher for rocks, core samples, cement ingots, glass, and friable materials. Its unique design enables extremely fine grinding while creating minimal dust and noise. An optional steel hopper/feeder simplifies loading and prevents samples from escaping from the jaws during crushing. Optional accessories include a steel stand, automatic lubrication, dust enclosure and collection system.



- It's unique design permits 5" x 7" rocks to be crushed to -10 mesh in one pass with minimal dust and noise.
- The model shown is complete with fully automated lubrication system, which lubricates itself while in operation. You need only to refill the grease reservoir every few months or as required.
- The model shown is fitted with an optional Environmental Enclosure.
- CE, UL, CSA approved

Ordering Information

JAW CRUSHERS (Note: Jaws ordered separately)

Description	Catalog Number
SP-1000 Jaw Crusher (manual 10 point lubrication) 208V/60Hz	010-010-100
SP-1001 Jaw Crusher (manual 1 point lubrication) 208V/60Hz	010-010-101
SP-1002 Jaw Crusher (automatic lubrication)* 208V/60Hz	010-010-102
SP-1000 Jaw Crusher (manual 10 point lubrication) 230V/50Hz	010-010-103
SP-1001 Jaw Crusher (manual 1 point lubrication) 230V/50Hz	010-010-104
SP-1002 JUw Crusher (automatic lubrication)* 230V/50Hz	010-010-105

*requires connection to compressed air

OPTIONAL ACCESSORIES

Description	Catalog Number
Hopper/Feeder	010-010-110
Steel Stand	010-010-111
Dust Collection Hopper	010-010-112

JAW SETS (Select appropriate jaw set)

Description	Alloy	Catalog Number
Serrated	Chrome-Moly Steel	010-010-120
Serrated	Chrome Steel	010-010-121
Serrated	Mild Steel	010-010-122
Serrated	Manganese	010-010-123
Smooth	Chrome-Moly Steel	010-010-130
Smooth	Chrome Steel	010-010-131
Smooth	Mild Steel	010-010-132
Smooth	Manganese	010-010-133

Contact your Sales Representative or your local distributor for more information.

USA

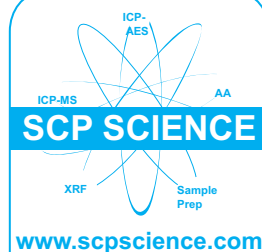
Tel.: (800) 361-6820
Fax: (800) 253-5549

Canada / International

Tel.: (800) 361-6820 / +1 (514) 457-0701
Fax: (800) 253-5549 / +1 (514) 457-4499

Europe

Tel.: +33 (0)1 69 18 71 17
Fax: +33 (0)1 60 92 05 67



Sample
Prep

ICP-AES & MS

AA

XRF

Calibration
Standards

Certified
Reference
Materials

X-Ray
Fluorescence
Analysis



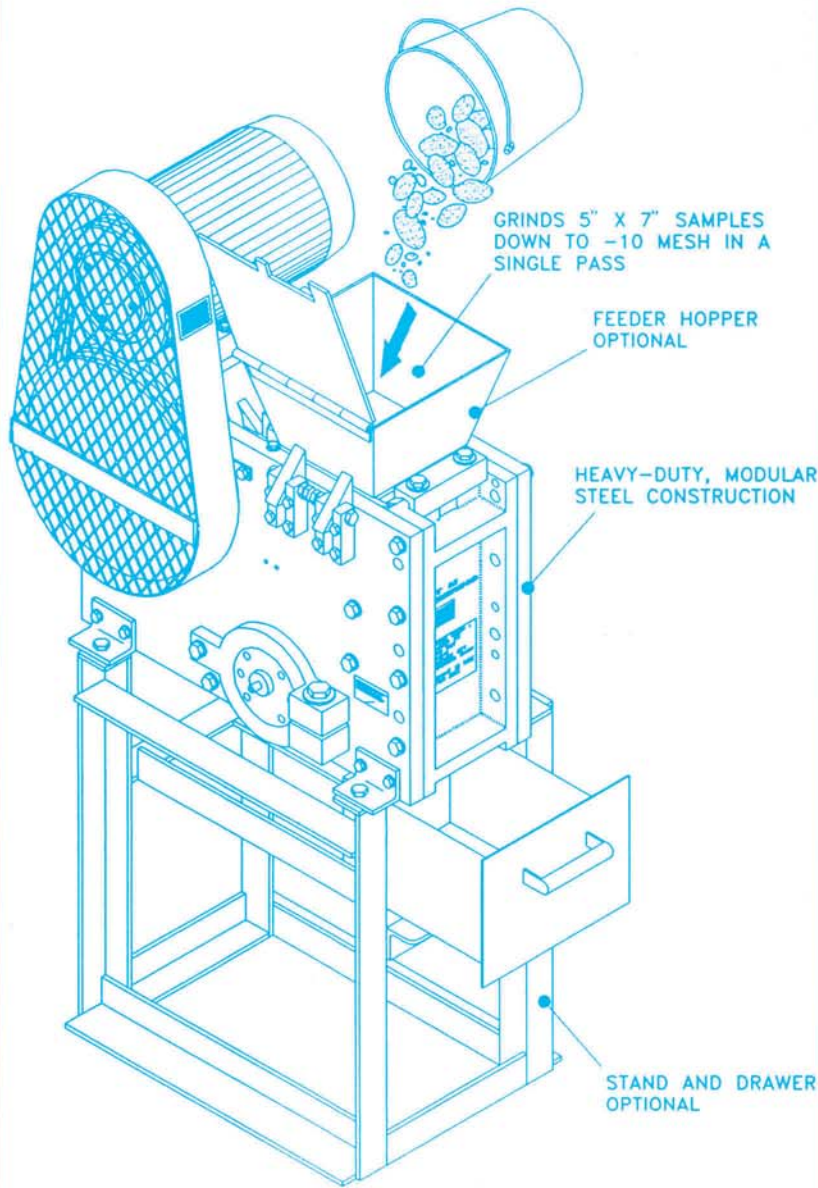
A variety of sample preparation & supply items are available:

- Grinders, presses & dies for sample preparation
- *AluCAP* aluminum sample backings & plastic sample cups

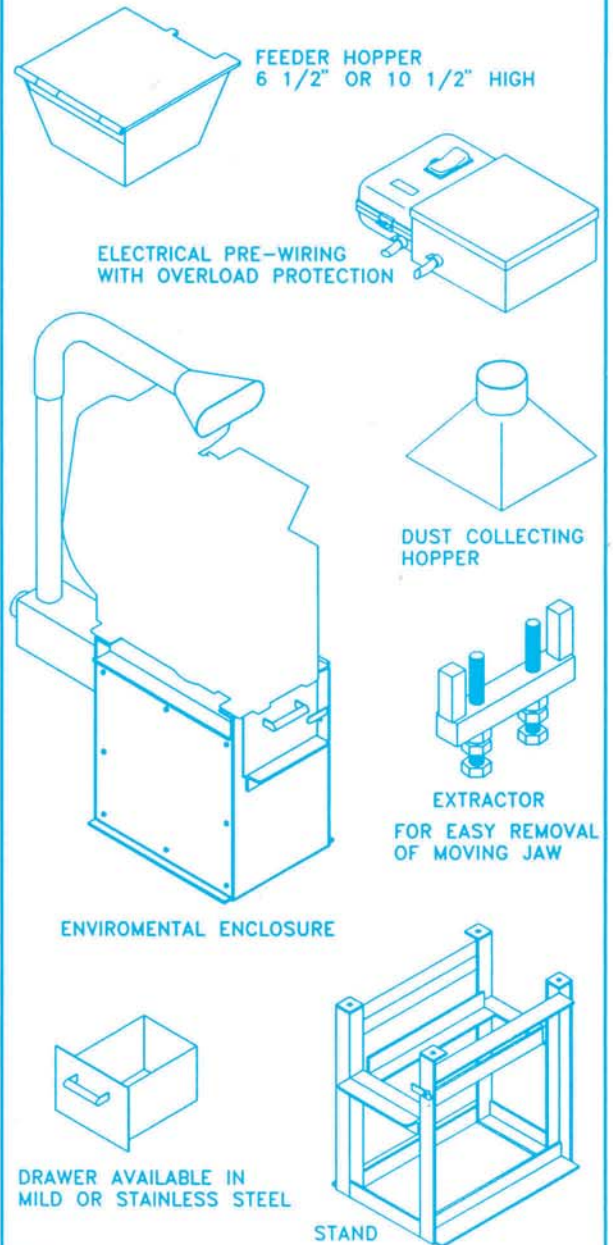
Call for more information or to request a quotation!

SCP SCIENCE

SP-1000 Jaw Crusher



OPTIONAL EQUIPMENT

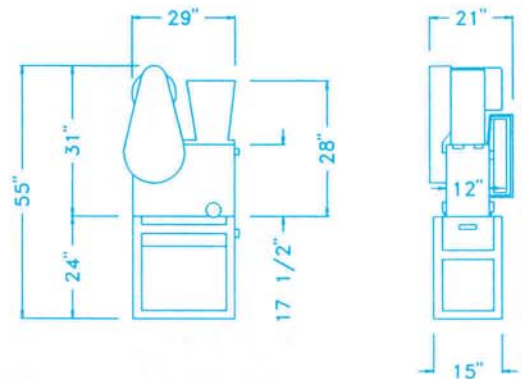


JAW SETS



TYPE	DESCRIPTION
ALLOY 1	CHROME/MOLYBDENUM STEEL, HARDENED TO RC60
ALLOY 2	CHROME STEEL, HARDENED TO RC60
MILD STEEL*	CASE HARDENED STEEL (FOR SPECIAL ANALYSIS)
MANGANESE	WORK HARDENING STEEL

TECHNICAL SPECIFICATIONS



WEIGHT : BASIC MACHINE 800 lb (363 Kg)
WITH ALL OPTIONS 900 lb (408 Kg)
POWER : 3 PHASE/60 CYCLE, 3Hp MOTOR STANDARD
1 PHASE AND/OR 60 CYCLE MOTOR AVAILABLE. PLEASE SPECIFY AT TIME OF ORDERING.